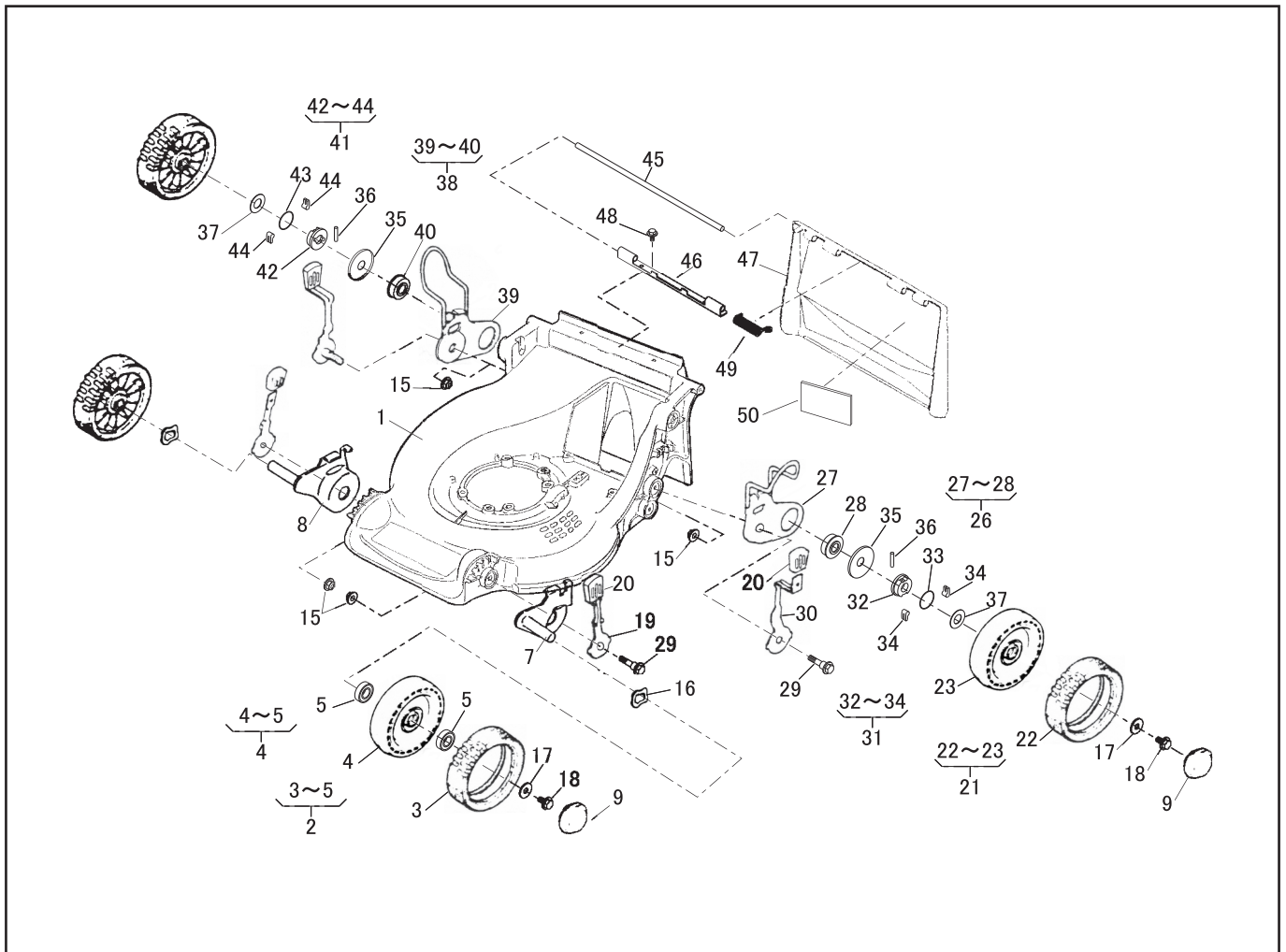




TOSAERBA SARP

SLM-4850HX

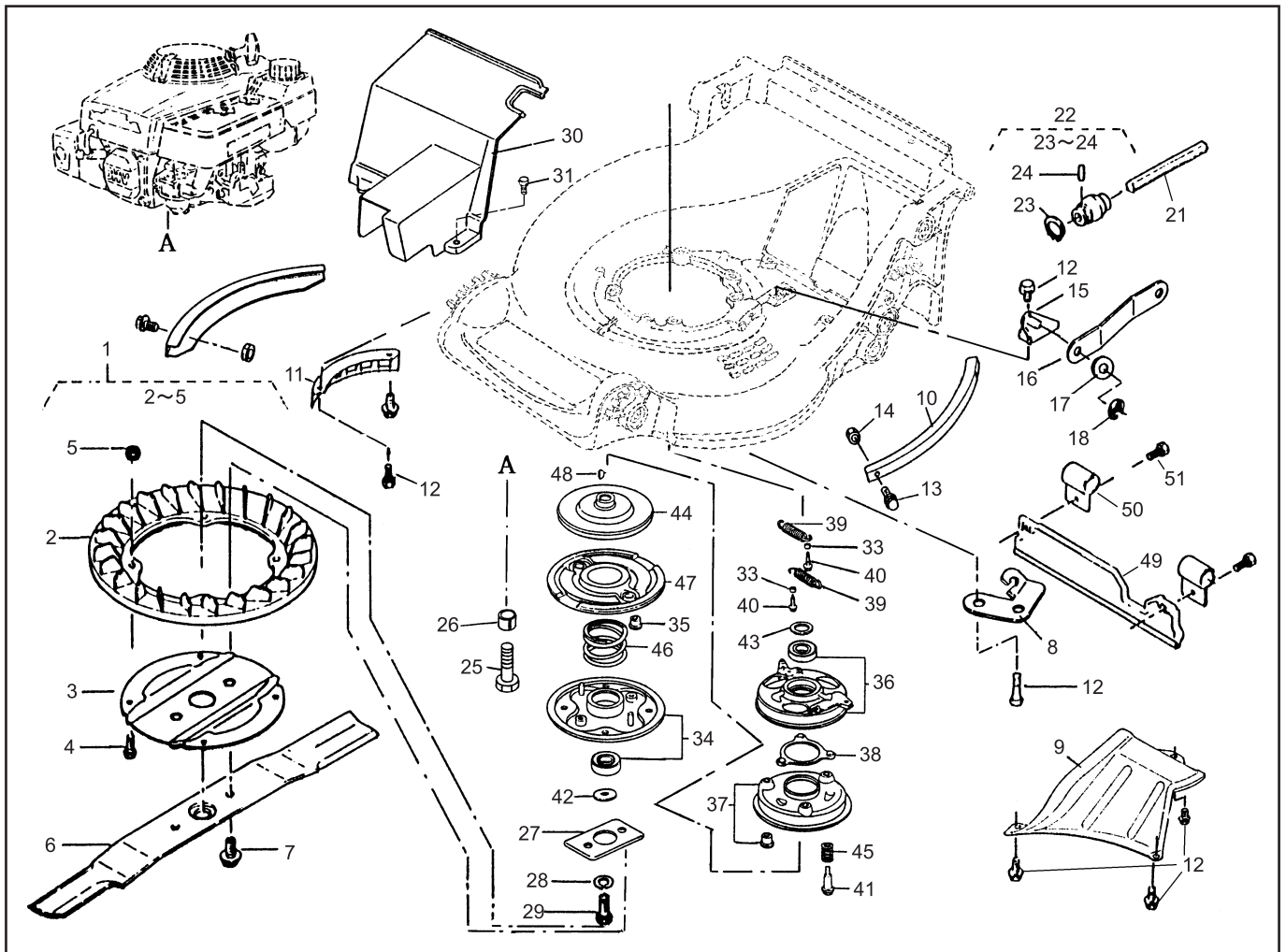
ESPLOSO RICAMBI



PARTS LIST

46014-115

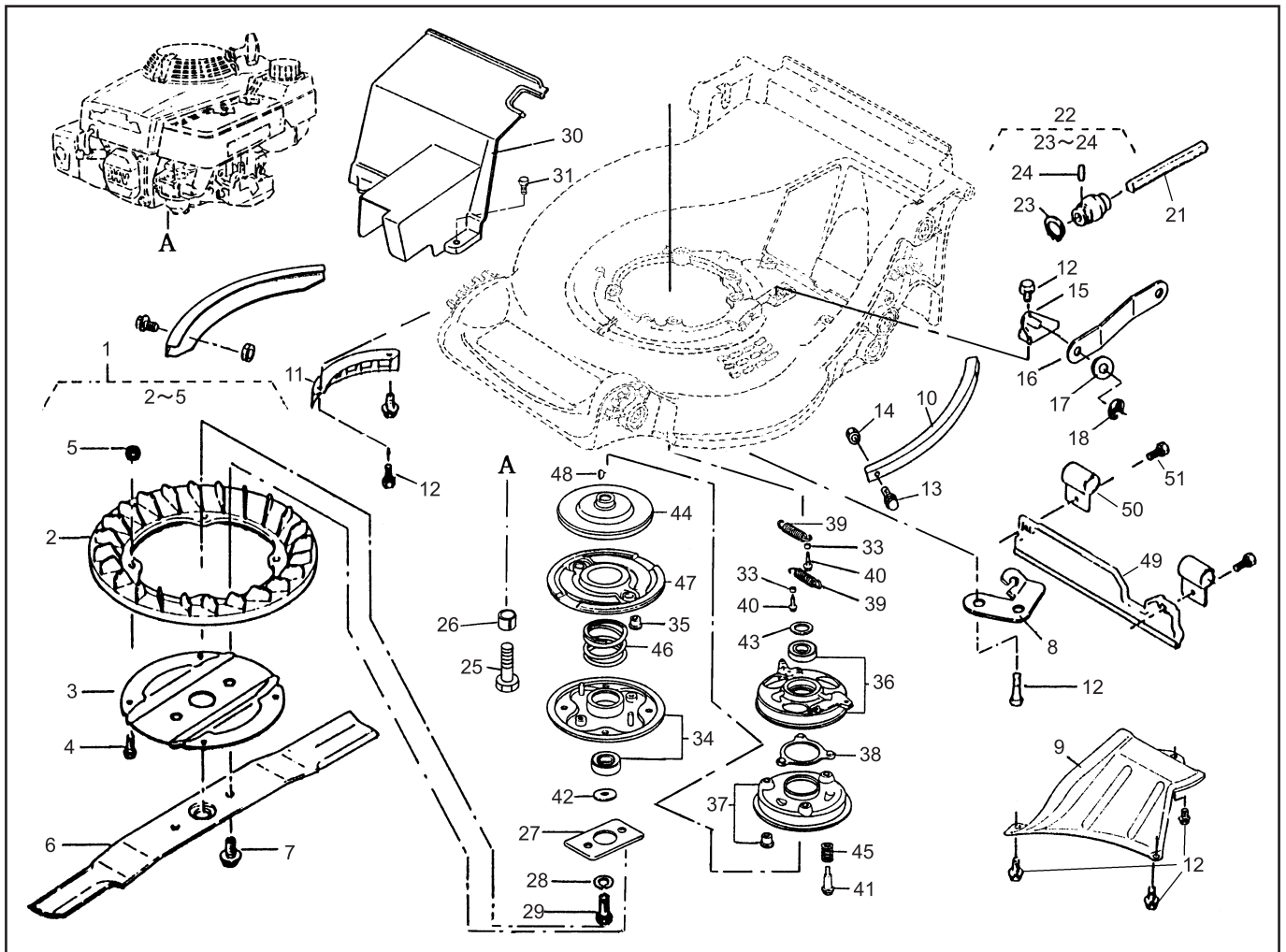
REF. No.	PARTS No.			PARTS NAME	WHEEL			1/2	RECOMM.(%) Lot.100	REMARKS
					Q'TY	PRICE()				
				INCLUDING						
1	51043	146	42	HOUSING	1				3	
2	71041	103		WHEEL ASSY	2				3	
3	91086	102		TIRE		2			15	
4	36107	102		WHEEL		2			3	
5	932L	0696		BEARING			4		5	
6										
7	11142	112		ADJUSTER	2				5	
8	11142	113		ADJUSTER	2				5	
9	36070	110		CAP	4				3	
10										
11										
12										
13										
14										
15	569L	0800		FLANGE NYLON NUT	4				10	M8
16	664V	0626		WAVE SPRING WASHER	2				5	
17	68036	101		WASHER	4				3	
18	31057	181		HEXAGON BOLT	4				3	
19	11150	101	09	ADJUST LEVER	2				5	
20	36061	121		KNOB	4				3	
21	71041	112		WHEEL ASSY	2				3	
22	91086	106		TIRE		2			15	
23	36107	101		WHEEL		2			3	
24										
25										
26	71122	101		ADJUSTER ASSY(L)	1				-	
27	11142	104		ADJUSTER		1			3	



PARTS LIST

46014-115

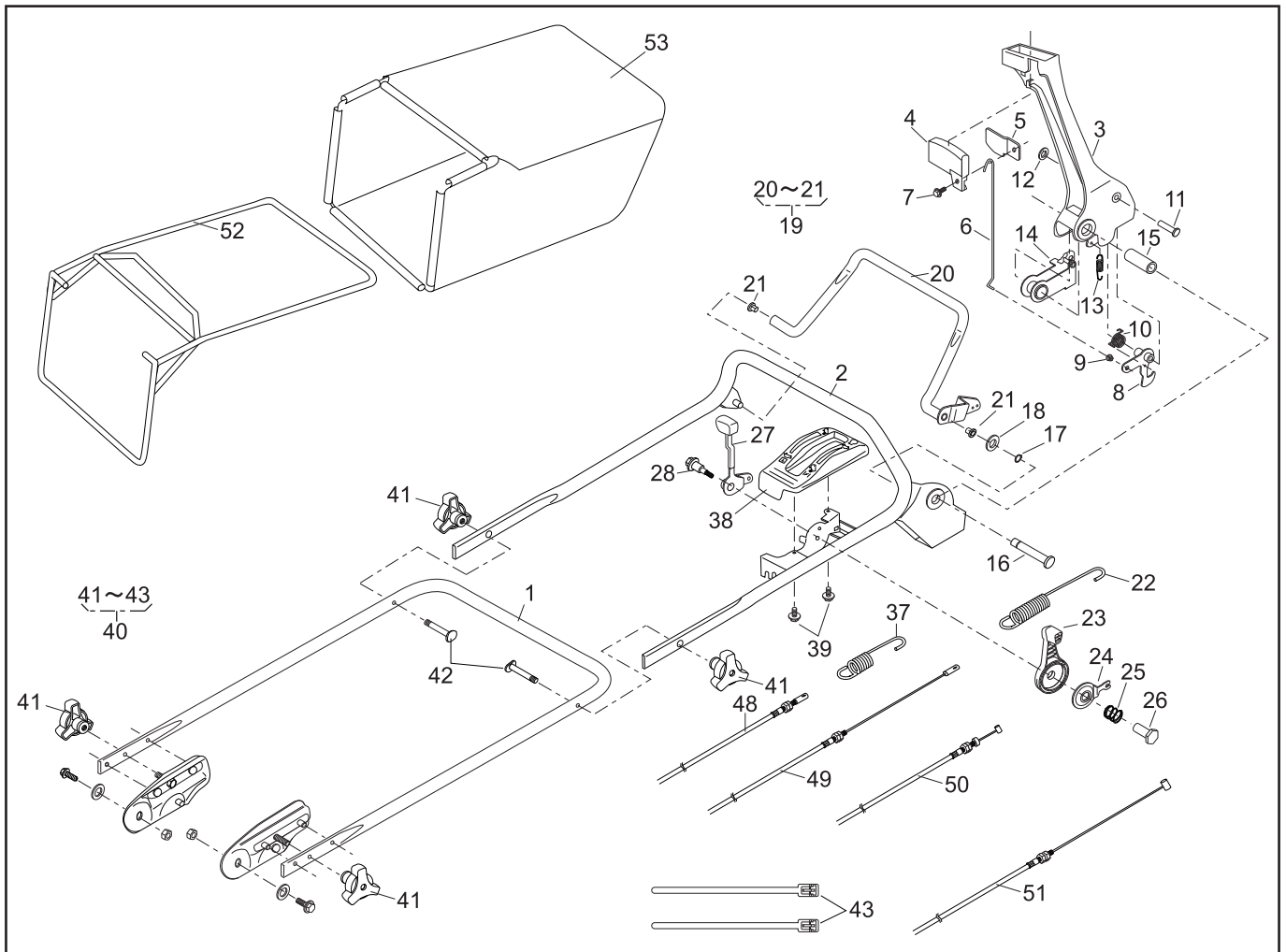
REF. No.	PARTS No.	PARTS NAME	GRASS-CUTTING			1/2	RECOMM.(%) Lot.100	Jan.25,2003	REMARKS
			Q'TY	PRICE()	INCLUDING				
1	71082 111	FAN ASSY	1				-		
2	51125 103	FAN	1				5		
3	11102 151	HOLDER	1				5		
4	31062 169	PRE-COAT LOCK BOLT	4				5	M6 × 16	
5	579L 0600	FLANGE NUT	4				5	M6	
6	91014 165	BLADE	1				15		
7	31057 197	HEXAGON BOLT	2				15		
8	51002 118	WIRE HOLDER	1				3		
9	36065 400	COVER	1				10		
10	51090 128 09	PROTECTOR	2				5		
11	36065 180	COVER	1				3		
12	342J 0612	FLANGE BOLT TAPPING	9				3	M6 × 12	
13	335L 0616	FLANGE BOLT	4				5	M6 × 16	
14	512L 0600	HEXAGON NUT	4				3	M6	
15	11006 113	STAY C.P.	1				5		
16	91049 119	CONNECTOR	1				5		
17	611L 1000	WASHER	1				3	M10	
18	816V 0800	E-SNAP RING	1				5	φ8	
19									
20									
21	64014 244	SHAFT	1				3		
22	91097 101	UNIVERSAL JOINT	1				3		
23	812V 2000	C-SNAP RING FOR SHAFT	1				1	φ20	
24	717B 0418	PARALLEL PIN	1				5	φ4 × 18	
25	31057 243	HEXAGON BOLT	4				3		
26	61024 142	SPACER	2				3		
27	61024 208	SPACER	1				3		



PARTS LIST

46014-115

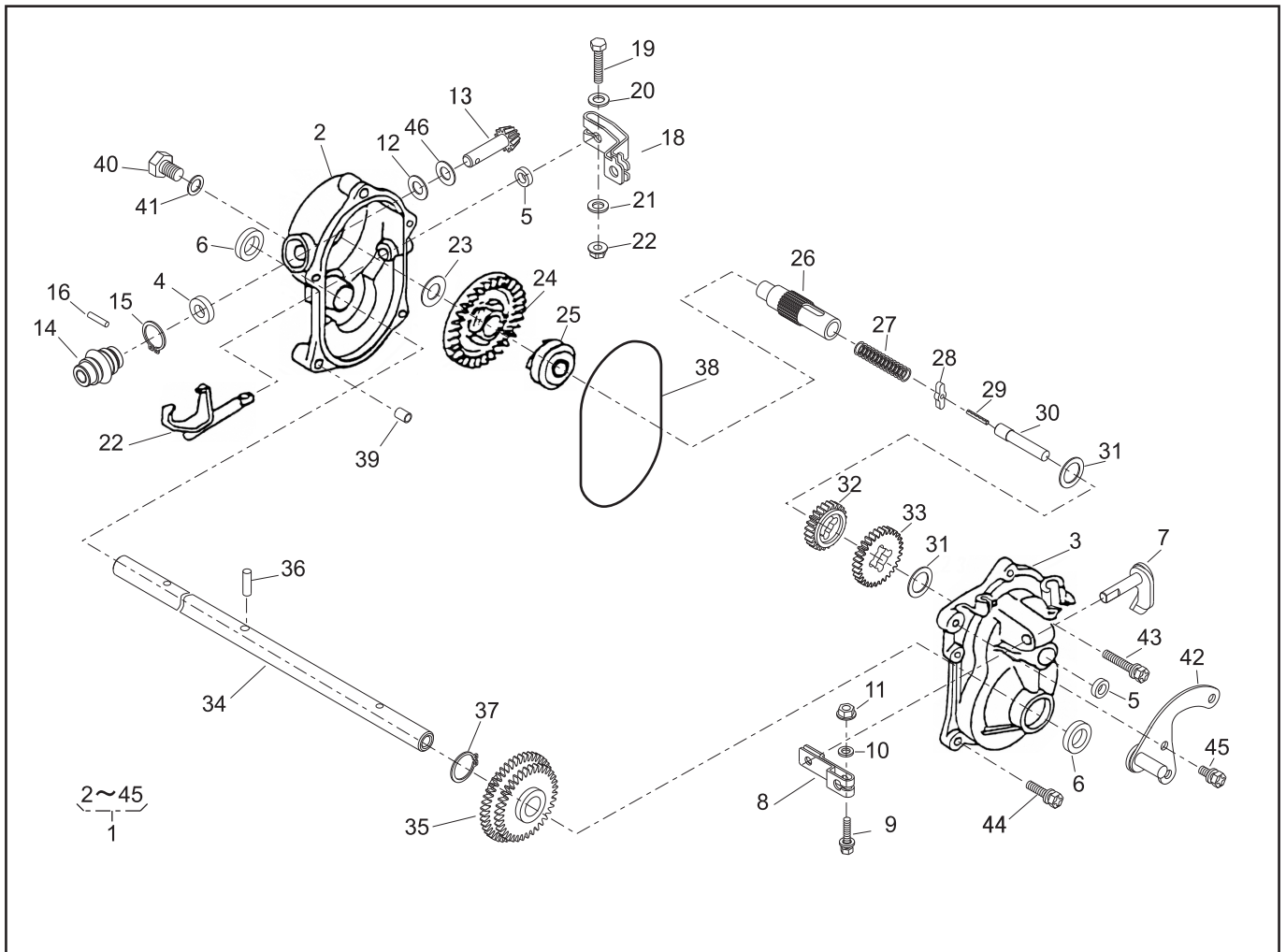
REF. No.	PARTS No.	PARTS NAME	GRASS-CUTTING			RECOMM.(%) Lot.100	REMARKS
			Q'TY	PRICE()			
28	671V 1000	CONICAL SPRING WASHER	1			3	
29	31057 196	HEXAGON BOLT	1			3	
30	36065 398	COVER	1			3	
31	342L 0616	FLANGE BOLT TAPPING	1			3	M6 x 16
32	71067 106	BRAKE ASSY	1			-	
33	19512 883 000	FAN COLLAR	2			-	
34	72600 VA4 010	BLADE HOLDER ASSY	1			3	
35	72613 VA4 000	BLADE HOLDER BUSH	2			5	
36	75090 VA4 030	BALL CONTROL PLATE	1			10	
37	75100 VA4 010	BRAKE C.P.	1			3	
38	75110 VA4 000	BALL RETAINER C.P.	1			10	
39	75182 VA3 J00	CLUTCH RETURN SPRING	2			5	
40	90014 952 000	FLANGE BOLT	2			3	
41	90021 VA4 000	SPECIAL BOLT	3			3	
42	90409 952 000	WASHER	1			3	
43	90501 952 010	THRUST WASHER	1			3	
44	75130 VA4 000	DRIVE DISK	1			3	
45	75132 VA4 000	BRAKE HOLDER SPRING	3			5	
46	75183 VA3 J00	CLUTCH SPRING	1			3	
47	75150 VA3 J01	DRIVEN DISK C.P.	1			3	
48	94401 16150	WOOD RUFF KEY	1			15	
49	36046 122	SAFETY GUARD	1			3	
50	11012 126	HANGER BAND	2			3	
51	335L 0616	FLANGE BOLT	2			15	M6 x 16
52							



PARTS LIST

46014-301-00

REF. No.	PARTS No.	PARTS NAME	HANDLE			1/2	RECOMM.(%) Lot.100	Jul.01,2005	REMARKS
			Q'TY	PRICE()	INCLUDING				
1	51027 146	HANDLE	1						
2	51027 255	HANDLE	1						
3	11095 172	LEVER(BBC)	1						
4	36110 102	BUTTON	1						
5	11049 109	SLIDE PLATE	1						
6	64014 336	SHAFT	1						
7	335N 0612	FLANGE BOLT	1						
8	71203 135	ARM C.P.	1						
9	76007 183	BUSH	1						
10	68013 371	SPRING	1						
11	31056 127	GIB-HEADED PIN	1						
12	576V 0600	PUSH NUT	1						
13	68013 372	SPRING	1						
14	11109 111	LINK	1						
15	61023 190	SLEEVE	1						
16	64014 337	SHAFT	1						
17	812V 0800	C-SNAP RING FOR SHAFT	1						
18	613L 0800	WASHER	1						
19	71161 114 09	LEVER ASSY	1						
20		LEVER		1					
21	76007 131	BUSH		2					
22	68013 374	SPRING	1						
23	91010 147	THROTTLE LEVER(FC150V/FC180V)	1						
24	61003 113	THRUST PLATE	1						
25	68013 356	SPRING	1						
26	31058 168	NUT	1						
27	11095 117	LEVER	1						
28	31062 109	PRE-COAT LOCK BOLT	1						



PARTS LIST

46014-115-1

REF. No.	PARTS No.	PARTS NAME	GEAR CASE			1/2	RECOMM.(%) Lot.100	REMARKS
			Q'TY	INCLUDING	PRICE()			
1	71008 326	GEAR CASE ASSY	1			-		
2	51001 195	GEAR CASE	1			3		
3	51001 196	GEAR CASE	1			3		
4	61002 161	OIL SEAL	1			5	SD 10 20 5	
5	61002 162	OIL SEAL	2			5	SD 8 14 4	
6	61002 163	OIL SEAL	2			5	SD 15 24 5	
7	64024 104	THIFTER SHAFT	1			3		
8	11104 119	ARM	1			3		
9	320L 0525	HEXAGON BOLT(PW)	1			3	M5 × 25	
10	611L 0500	PLAIN WASHER	1			3	M5	
11	571L 0500	FLANGE NUT	1			3	M5	
12	61003 109	THRUST PLATE	1			5		
13	78003 130	PINION	1			3		
14	91097 101	UNIVERSAL JOINT	1			3		
15	812V 2000	C-SNAP RING FOR SHAFT		1		1	φ 20	
16	717B 0418	PARALLEL PIN		1		3	φ 4 × 18	
17	11097 106	SHIFTER FORK	1			3		
18	11104 137	ARM	1			3		
19	311M 0630	(+)HEXAGON BOLT	1			3	M6 × 30	
20	611L 0600	PLAIN WASHER	1			3	M6	
21	613L 0600	PLAIN WASHER	1			3	M6	
22	571L 0600	FLANGE NUT	1			3	M6	
23	61024 117	SPACER	1			5		
24	78001 162	BEVEL GEAR	1			3		
25	11129 107	CLUTCH	1			3		
26	64014 236	SHAFT	1			3		
27	68013 262	SPRING	1			3		

